

## Multi-mode Polarization Insensitive Isolator

### Specifications

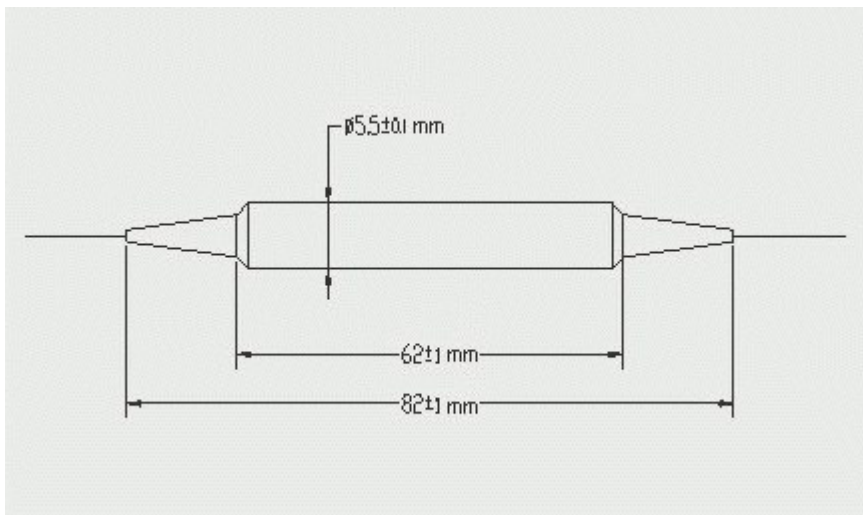
Parameter	Unit	Value
Center Wavelength	nm	1310+/-20 or 1550+/-20
Peak Isolation	dB	50
Mini Isolation (23°C)	dB	42
Typ. Insertion Loss at 23°C	dB	0.5
Max. Insertion Loss at -5°C-70°C	dB	0.6
Min. Return Loss (input/output)	dB	40/40
Max.TDL	dB	0.15
Max. Optical Power	mW	300
Max. Tensile Load	N	5
Fiber Type		Multimode fiber,62.5/125 or 50/125
Operation Temperature	°C	-5 to 70
Storage Temperature	°C	-40 to 85

\*Above specifications are for device without connector.

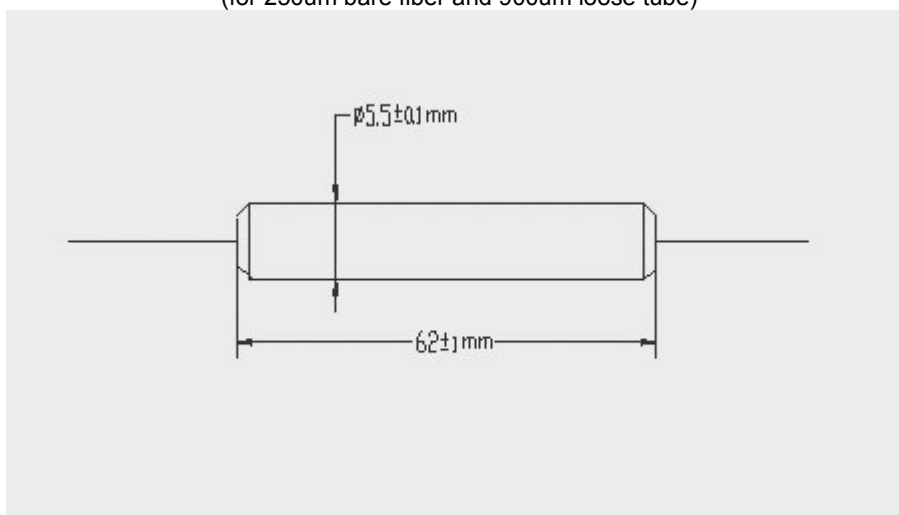
\*For devices with connectors, IL will be 0.2 dB higher, RL will be 20 dB lower .

\*Above specifications are measured in low order modes

### Image



Package Dimensions: dia 5.5 x 82mm  
(for 250um bare fiber and 900um loose tube)



Package Dimensions: dia 5.5 x 62mm

(for 3mm cable)

**Ordering Information**

MMIS	type	Wavelength	fiber core	Pigtail	Fiber length	Connector
	S=single stage	13=1310nm 15=1550nm	62=62.5um 50=50um	B=250um bare fiber L=900um 3=3mm cabel	10=1.0m 15=1.5m 20=2.0m ..... 30=3.0m	NE=None FC=FC/PC SC=SC/PC ST=ST/PC LC=LC/PC XX=others